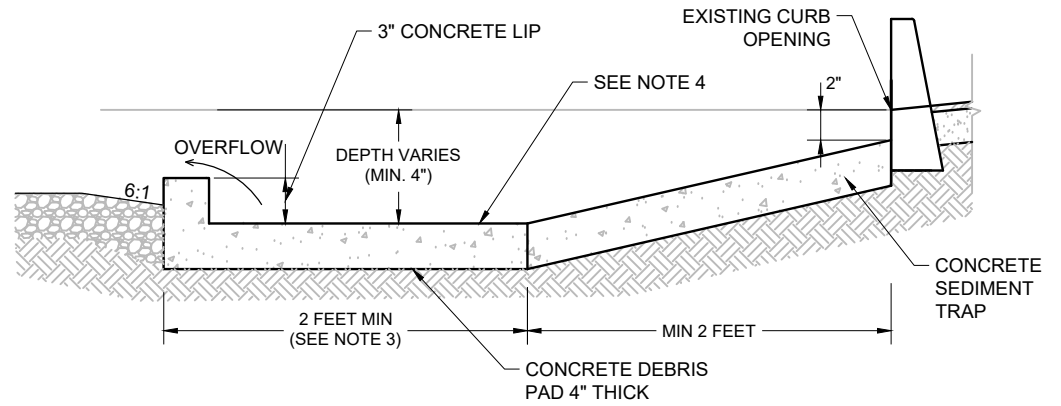


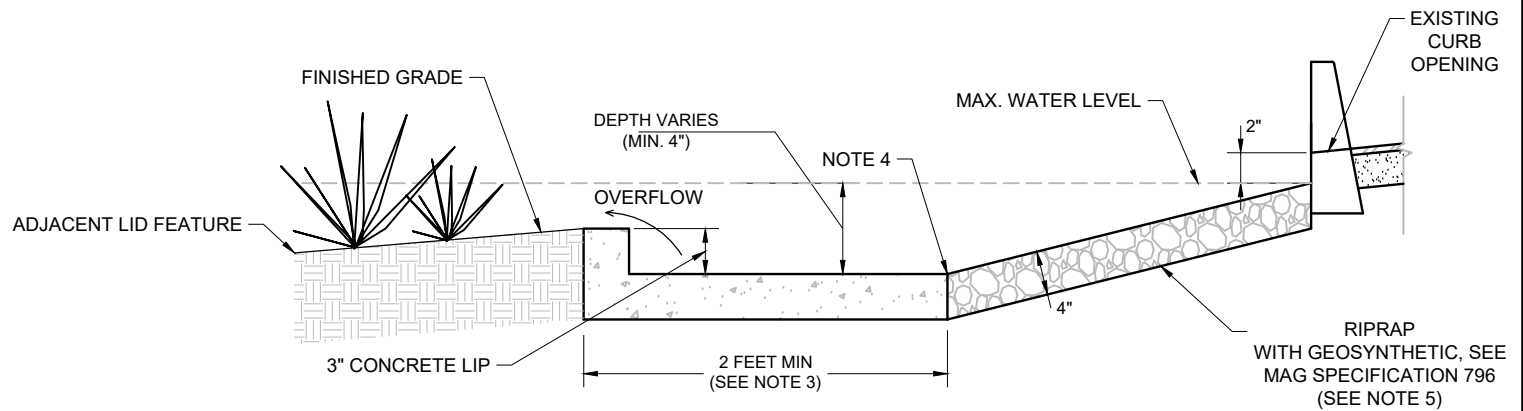
SEDIMENT TRAP PLAN VIEW



SECTION A-A

NOTES:

1. DIMENSIONS OF SEDIMENT TRAP SHOULD BE ADJUSTED BASED ON CONTRIBUTING WATERSHED SIZE AND SEDIMENT LOAD.
2. SEDIMENT TRAP CAN BE PRECAST OR CAST IN PLACE CONCRETE.
3. DEBRIS PAD SHOULD BE DESIGNED TO CONTAIN HYDRAULIC JUMP (IF POSSIBLE).
4. EXPANSION/CONTRACTION JOINT
5. RIPRAP SIZE BASED ON DESIGN REPORT.



SEDIMENT TRAP WITH RIPRAP SPILLWAY

| | | | | |
|-----------------------------|----------------------------|-----------------------|-----------------------|-----------------------------|
| DETAIL NO. LID-04 | STANDARD DETAIL ENGLISH | SEDIMENT TRAPS | REVISED 01-29-2019 | DETAIL NO. LID-04 |
|-----------------------------|----------------------------|-----------------------|-----------------------|-----------------------------|